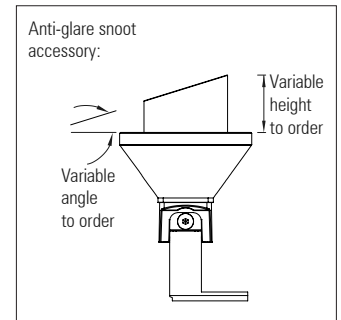
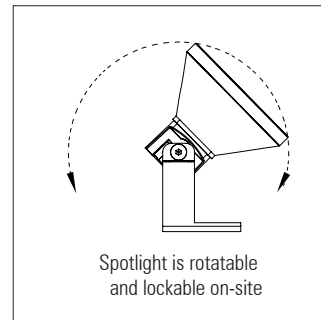
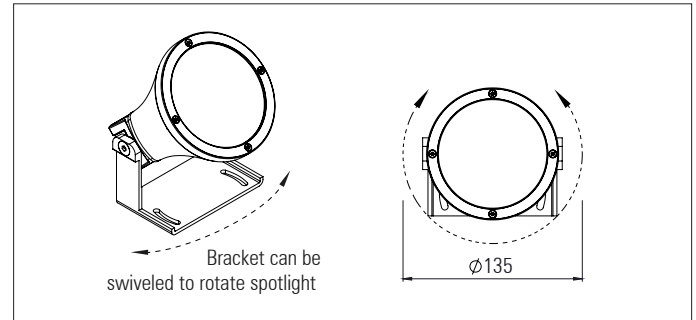
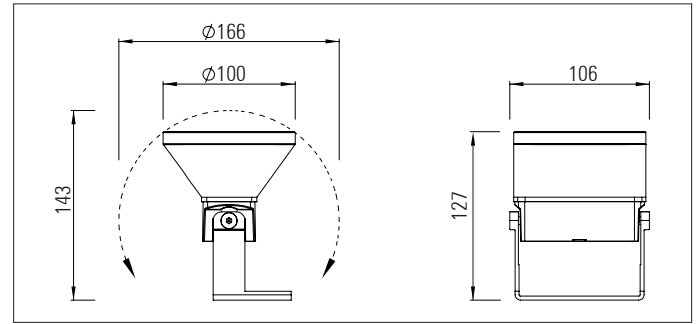
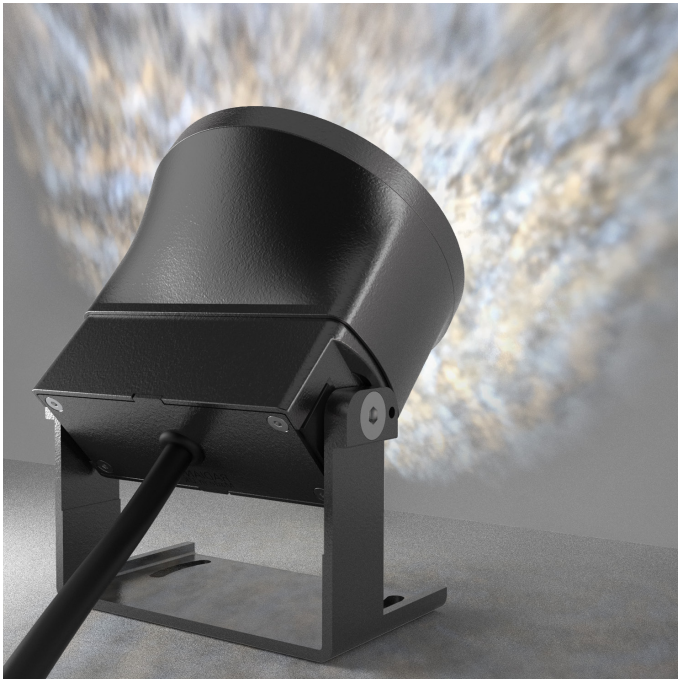


## D 40 WE System IP20

Interior DMX controlled, dynamic LED effect lighting system



### D 40 WE System IP20

The D 40 WE System IP20 is an interior LED projector range, developed for use in architectural lighting applications which require customisable, decorative, dynamic lit-effects from a compact luminaire.

#### Product description:

Each fixture incorporates an 8x LED light engine, one or two LV multi-channel DMX drivers and a textured glass panel optic. These can all be customised to create decorative, dynamic lit-effects tailored to suit project requirements.

The system does not rely on any moving parts and the LEDs are not run at full power for most of the dimming sequence, giving a long working life of up to 100,000 hours.

Each fixture can be run at up to 5 Watts, providing up to 400 lumens, depending on the mix of LED colours and colour temperatures and the textured glass used. The lumen output varies during the dimming control sequence.

Rotatable in two axes using the adjustable angle brackets. Other mounting brackets are also available including custom designs to meet project requirements.

Both integral DMX LV driver and remote AC to DC DMX driver versions are available.

Various LED colours, colour temperatures and CRI options available. Different colour LEDs or white LEDs of different colour temperatures can be specified for each of the 8 LEDs within the light engine.

Satin black, satin white or any RAL paint colour finish.

Custom anti-glare accessories can be specified - ensuring excellent visual comfort.

Up to 400 Lumens per spotlight

Product Code	IP	LED Type	LED Colour or white LED Colour Temp.(K)		CRI	Optics	Anti-glare Snoot	Fixing Type	Finish
D 40 WE SYSTEM IP20 INTEGRAL DRIVER	20	LUMILEDS: 8x LUXEON Z or CZ LEDs - custom combinations or white or colour LEDs can be specified	Specify colour / colour temp. for each of the 8 LEDs in the light-engine:		70 80 90	Textured glass: Rippled Stippled	Cut-angle: 0° - 75° (increments of 5°)  Height: specify height	Adjustable angle Fixed angle Custom height adjustable angle Custom solution	Black White Any RAL colour
D 40 WE SYSTEM IP20 REMOTE DRIVER			Far Red, Deep Red, Red, Red-Orange, Amber, PC Amber, Mint, Lime, Green, Cyan, Blue, Royal Blue, Violet	22=2,200k 27=2,700k 30=3,000k 35=3,500k 40=4,000k 50=5,000k 57=5,700k 65=6,500k					